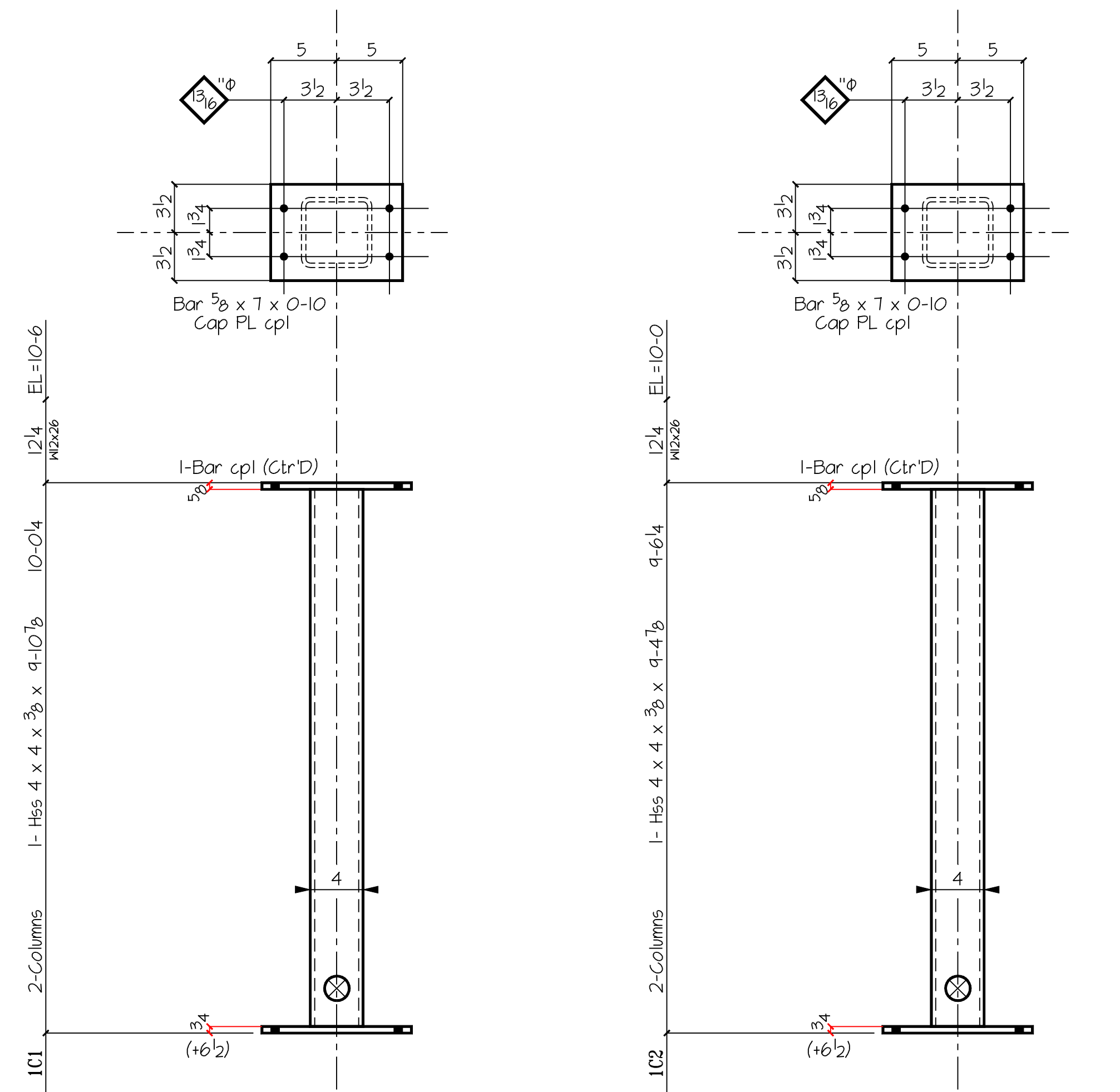
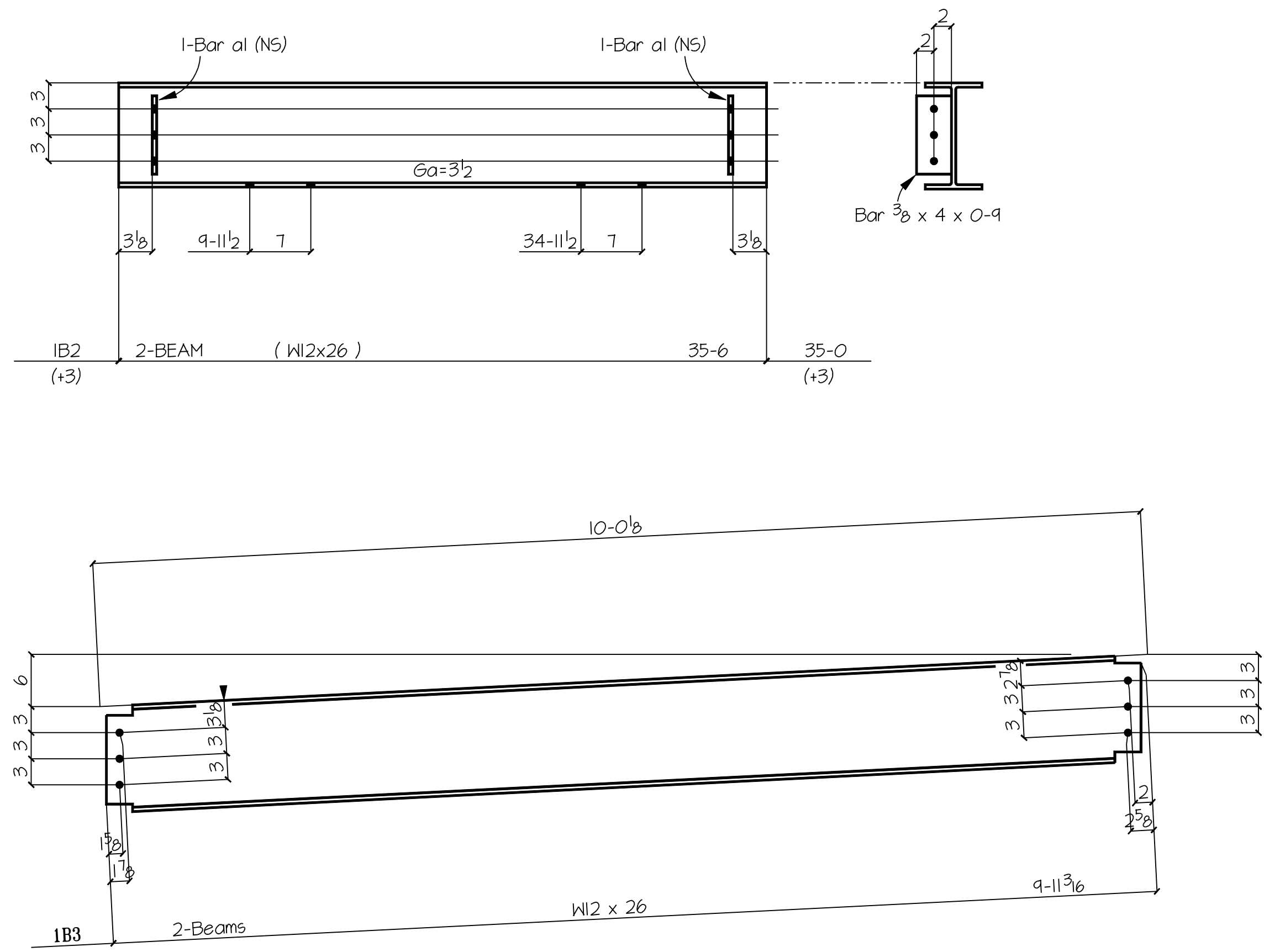


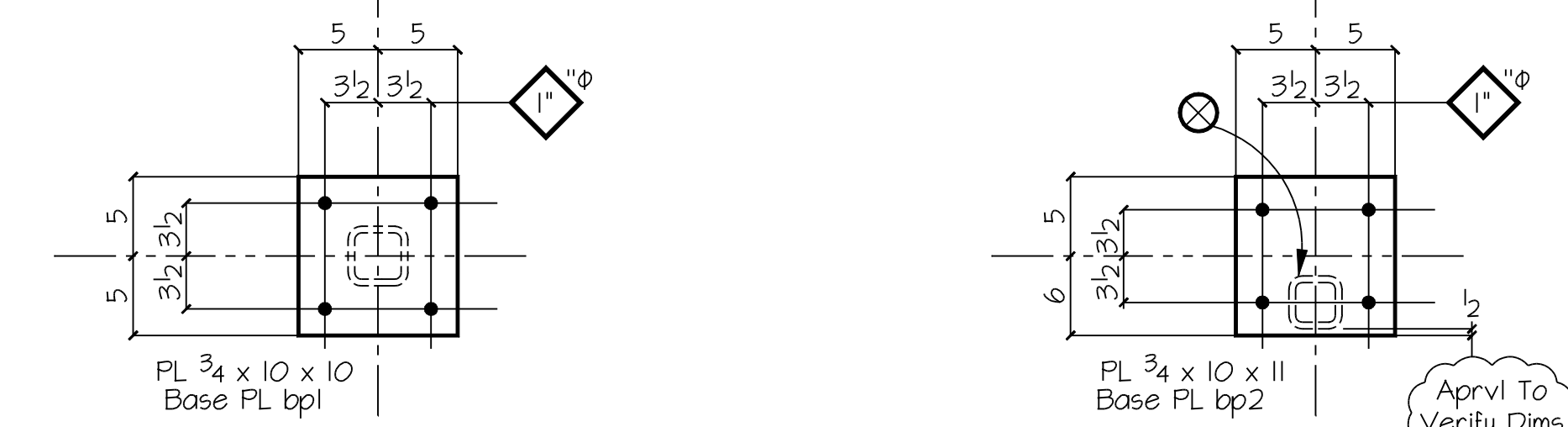
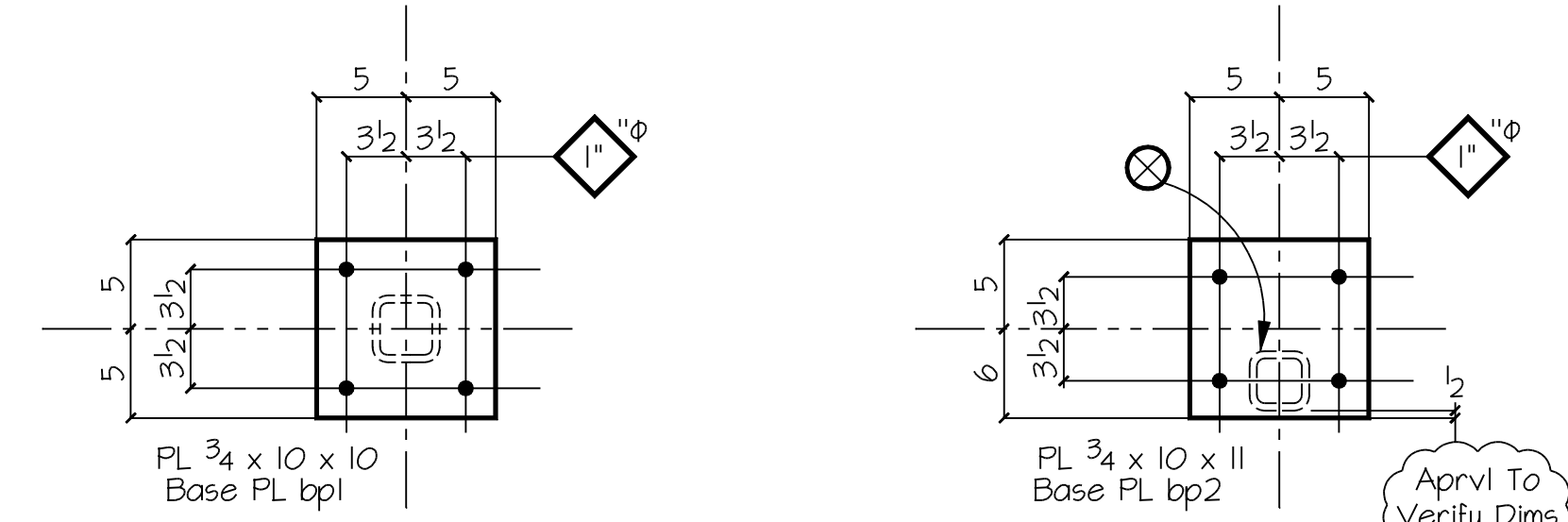
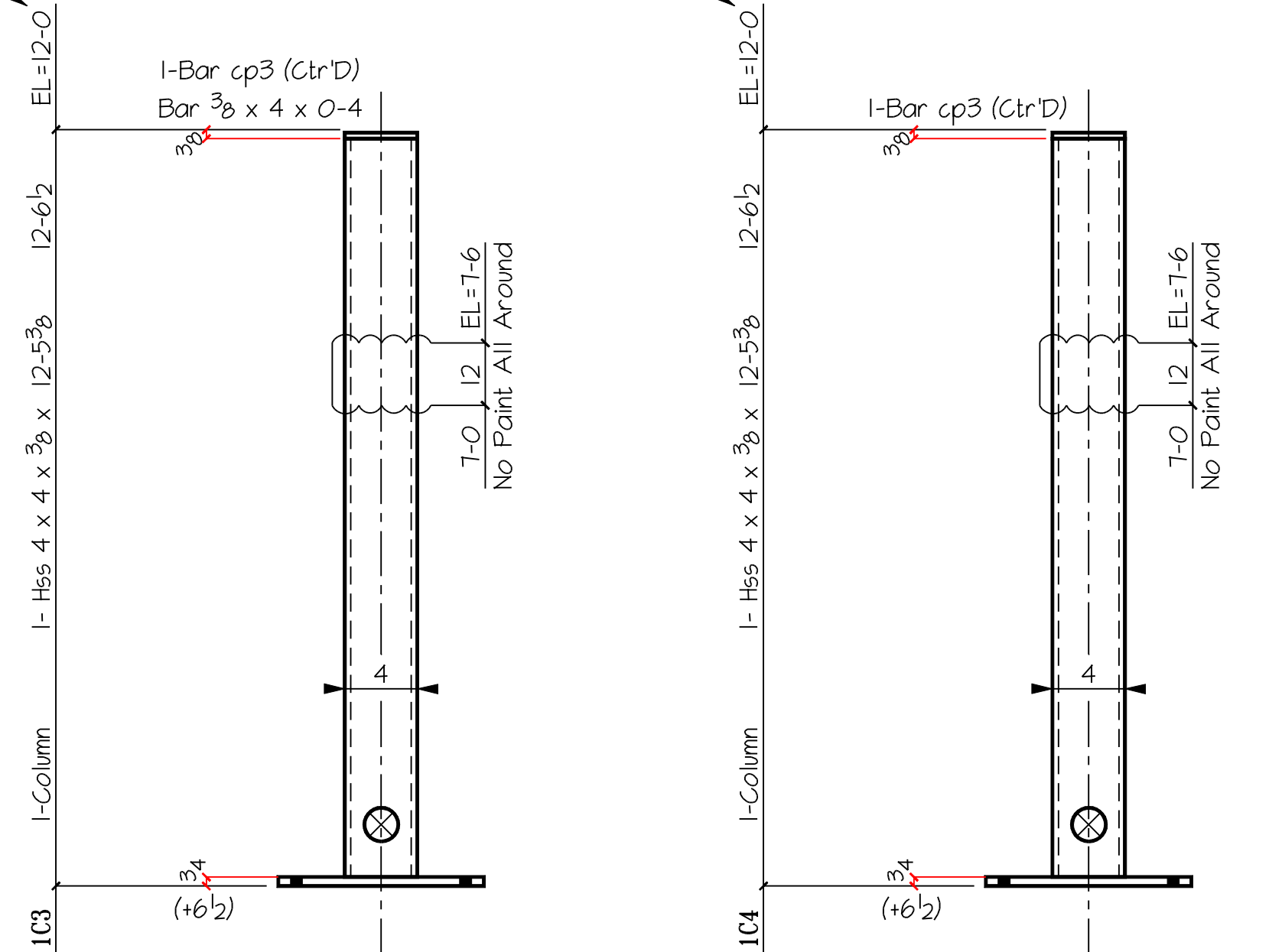
- UNLESS NOTED OTHERWISE -			
1/4" FILLETS	MATERIAL GRADE SHALL BE A36 U.N.O.	WF SHAPES A992 TUBES A500	CHANNLS A992 PIPEs A501 or A53
13/16" ϕ OPEN HOLE	REF SCHEDULE D/SIO2 Item # 5-1	COATING One S/C Red Oxide Primer	
DETAIL DY 5-12-08		REV # 0	SHEET # D1
CHK.R		SHOP CODE	

DETAILS OF Columns & Beams	
PROJECT	SpiceWood Springs Conversion
LOCATION	
CUSTOMER	
ARCHITECT	Architects
ENGINEER	Engineering

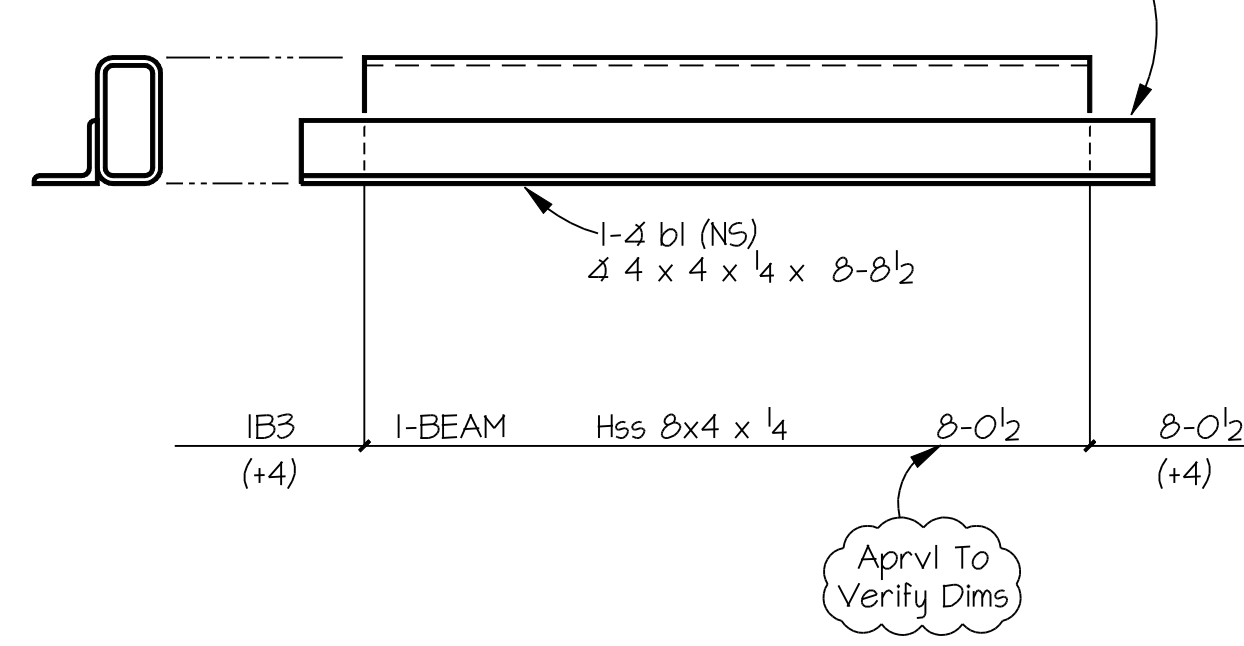


Approval To Verify Elevation

Approval To Verify Elevation



Approval To Verify If 4" Overhang is Req'd



DETAILS OF Columns & Beams			
PROJECT <u>SpiceWood Springs Conversion</u>			
LOCATION _____			
CUSTOMER _____			
ARCHITECT <u>Architects</u>			
ENGINEER <u>Engineering</u>			
DETAIL <u>DY</u>	DATE <u>5-12-08</u>	REV # <u>0</u>	SHEET # <u>D1</u>
CHK.R _____	SHOP CODE _____		

- UNLESS NOTED OTHERWISE -

1/4" FILLETS MATERIAL GRADE SHALL BE A36 U.N.O.

WF SHAPES A992 TUBES A500

CHANNELS A992 PIPES A501 or A53

REF SCHEDULE D/SIO2 Item # 5-1

COATING One S/C Red Oxide Primer