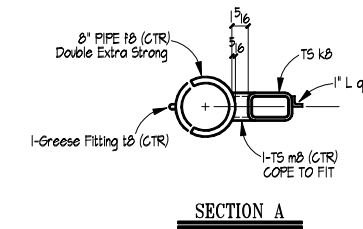
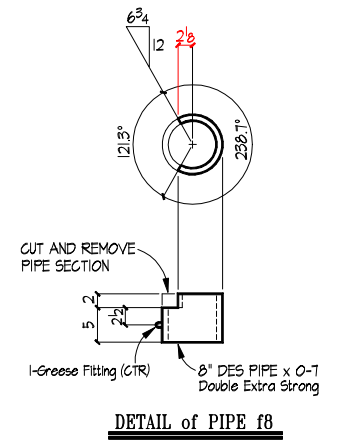
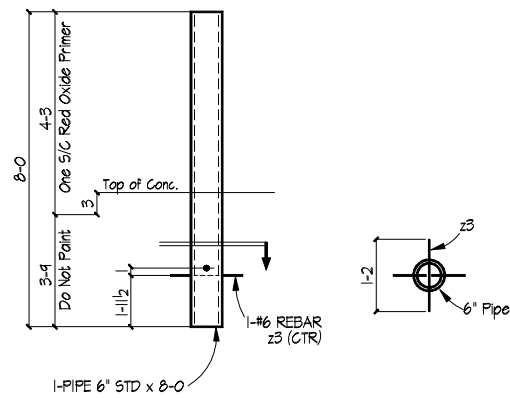


2 GATE POSTS MK:8P1

2 GATE DOORS MK:8G1



- BILL OF MATERIAL -				
MARK	QTY	DESCRIPTION	LENGTH	REMARKS
6P1	2	PIPE 6" STD	12-0	
ab	2	ROD 1/2"	0-0 3/4	
bb	2	BAR 3/4 x 6" 6"	0-6 3/8	
cb	2	PIPE 8" DES	0-4	
Field Welded To Post				
Stop Bar	5M5	4	ROD 1"	0-2 1/5/G Primer
Field Welded To Gate				
5M1	2	Stanley #CD1309		1/5/G Primer
5M1	1	Stanley #CD1271		None
5M3	4	1/2" "B Type" x 36"	7-0 1/2	By MBCL
Field Welded To Gate				
8PB2	6	PIPE 6" STD	8-0	
z8	12	#6 REBAR	1-2	
Pipe Sleeves	5M4	2	1" PIPE STD	0-6 Galvanized



6 BOLLARDS MK:8PB1
Ref 2/A1.2 & 7/A1.2

Contractor to Verify Dimensions

- PRINT RECORD -		- DESCRIPTION OF REVISIONS MADE TO DRAWING -	
APPV'L	04-21-04	1	
SHOP		2	
FIELD		3	

- UNLESS NOTED OTHERWISE -	
None	E70XX
OPEN HOLES	ELECTRODES
COATING One 5/16 Red Oxide Primer	
MATERIAL GRADE	SHELL BE A36 U.N.O.
WF SHAPES	TUBES
CHANNELS	PIPES
REF DWG	A12 E3

TSD TEXAS STEEL DETAILERS
Specializing in Miscellaneous Steel Detailing
Email us @ TSD-5A@Mail.EVI.Net

FABRICATOR: L5 Steel
DETAILS OF PROJECT: Canopy Frame
PROJECT: Silverado Station Plan
LOCATION: 1604 @ Bandera Road
CUSTOMER: Browning Construction
ARCHITECT: Hodges @ Associates
ENGINEER: Hunt & Joiner, Inc

DETAIL DY: 04-21-04 APPV'D: [Signature]
CHK'R SG: [Signature] REV # [] JOB # 029-04
DWG # 5