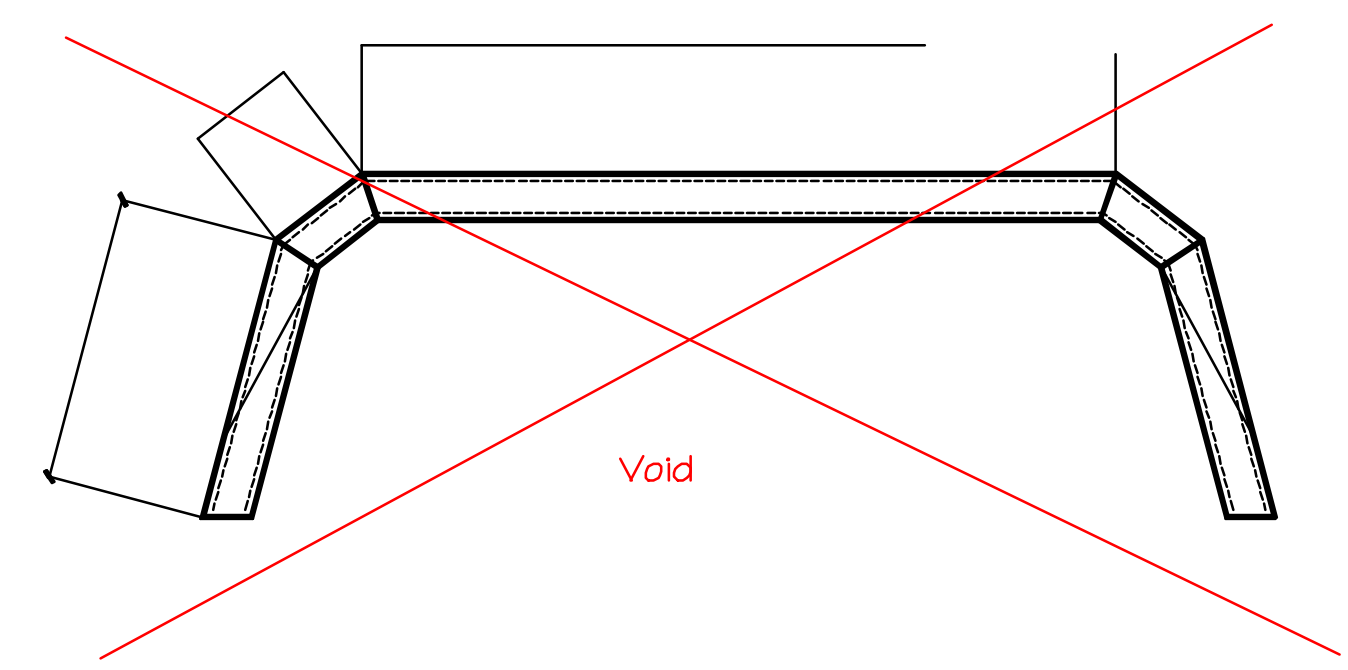
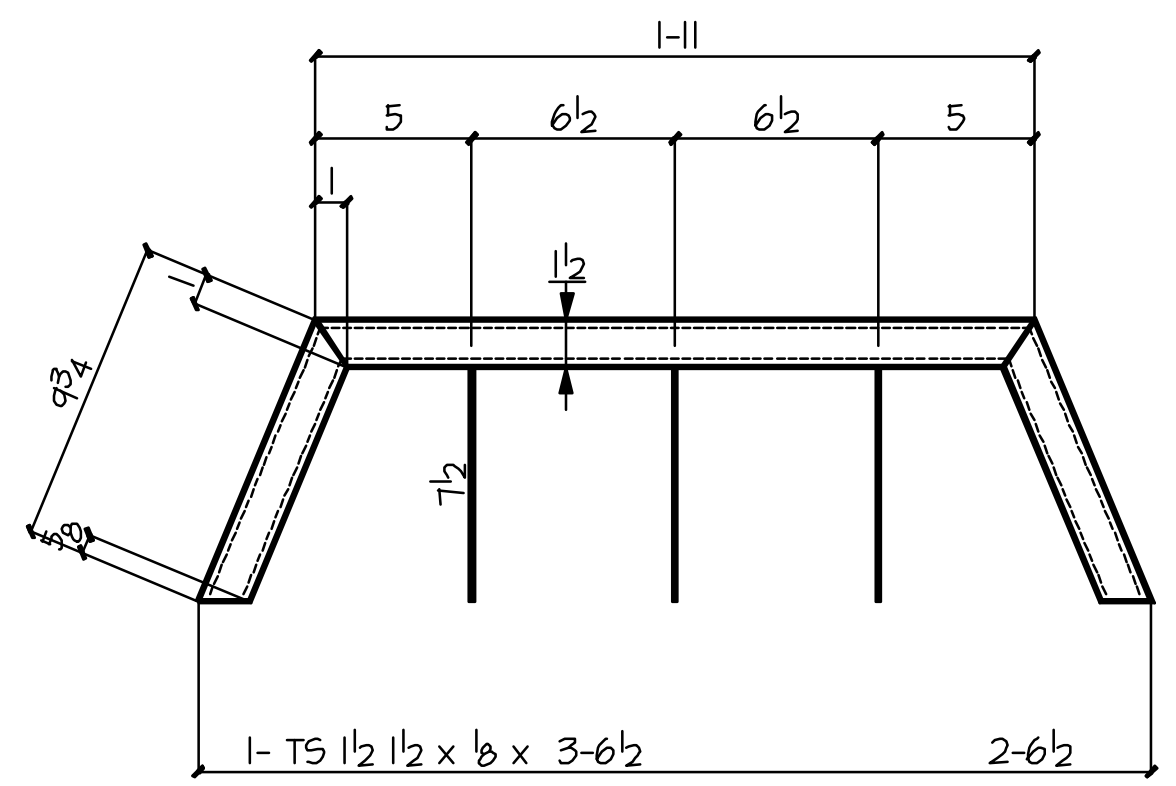
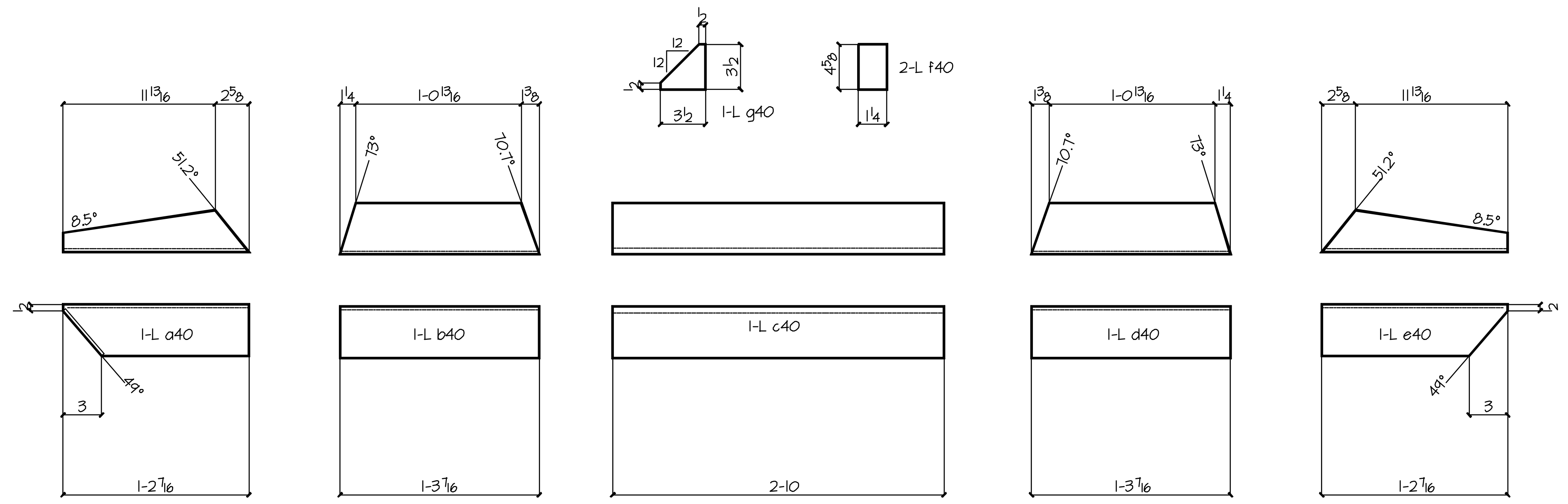
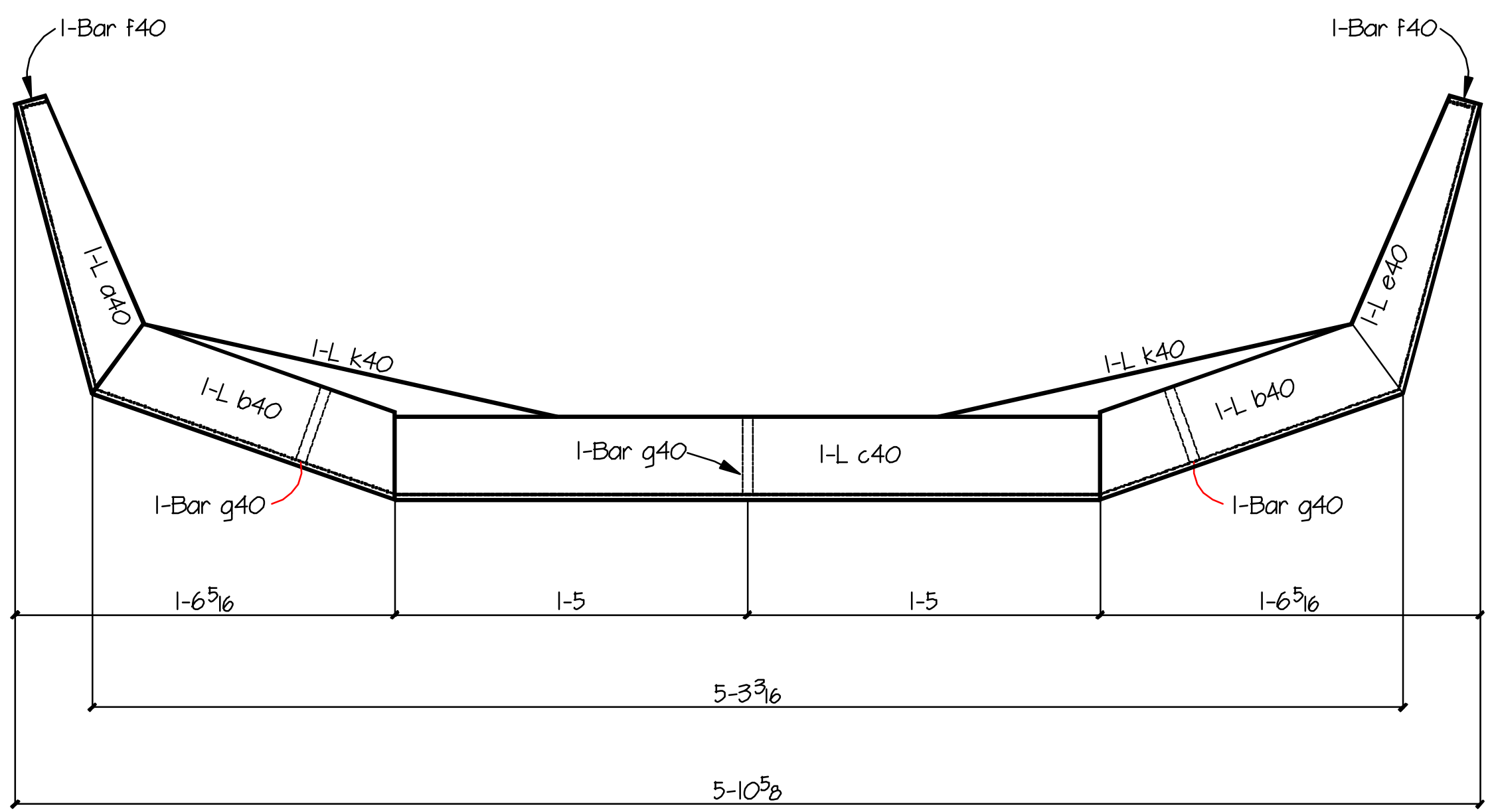
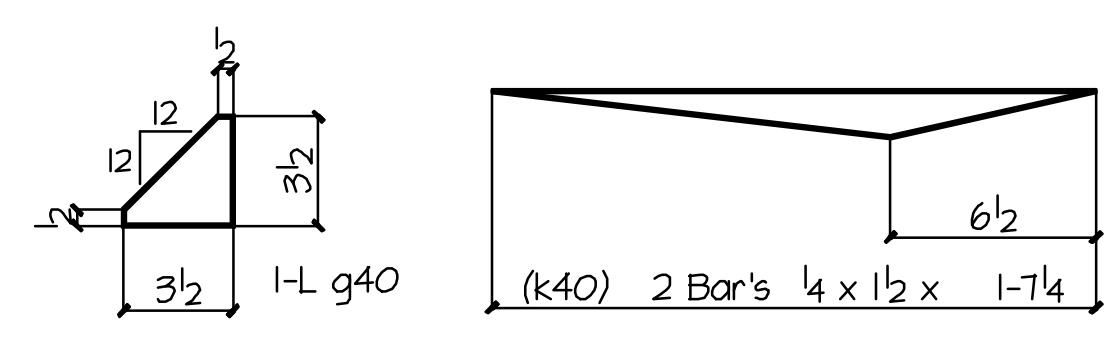


- BILL OF MATERIAL -				
MARK	QTY	DESCRIPTION	LENGTH	REMARKS
a40	1	1-L 4 x 4 x 1/4	1-2 7/16	8 Lin-Ft
b40	1	1-L 4 x 4 x 1/4	1-3 7/16	51.5 LBs
c40	1	1-L 4 x 4 x 1/4	2-10	
d40	1	1-L 4 x 4 x 1/4	1-3 7/16	Area 610.61
e40	1	1-L 4 x 4 x 1/4	1-2 7/16	48 LBs
f40	1	Bar 1/4 x 3/2	0-3 1/2	8 LBs
g40	2	Bar 1/8 x 1 1/4	0-5 3/4	5 LBs
				50 LBs



- UNLESS NOTED OTHERWISE -

7/16"φ OPEN HOLES ETOXX ELECTRODES

COATING One S/C Red Oxide Primer

MATERIAL GRADE SHELL BE A36 U.N.O.

WF SHAPES _____ TUBEs _____

CHANNELs _____ PIPEs _____

REF DWG _____

DETAILS OF PROJECT Bumper Per 99 Rodeo

LOCATION _____

CUSTOMER _____

ARCHITECT _____

ENGINEER _____

APPV'D _____ SHOP _____ FIELD _____

CHK.R. _____

APPV'D _____

REV # _____

JOB # **000-00**

DWG # **0**

- PRINT RECORD -		- DESCRIPTION OF REVISIONS MADE TO DRAWING -	
APPV'L	_____	1	_____
SHOP	_____	2	_____
FIELD	_____	3	_____